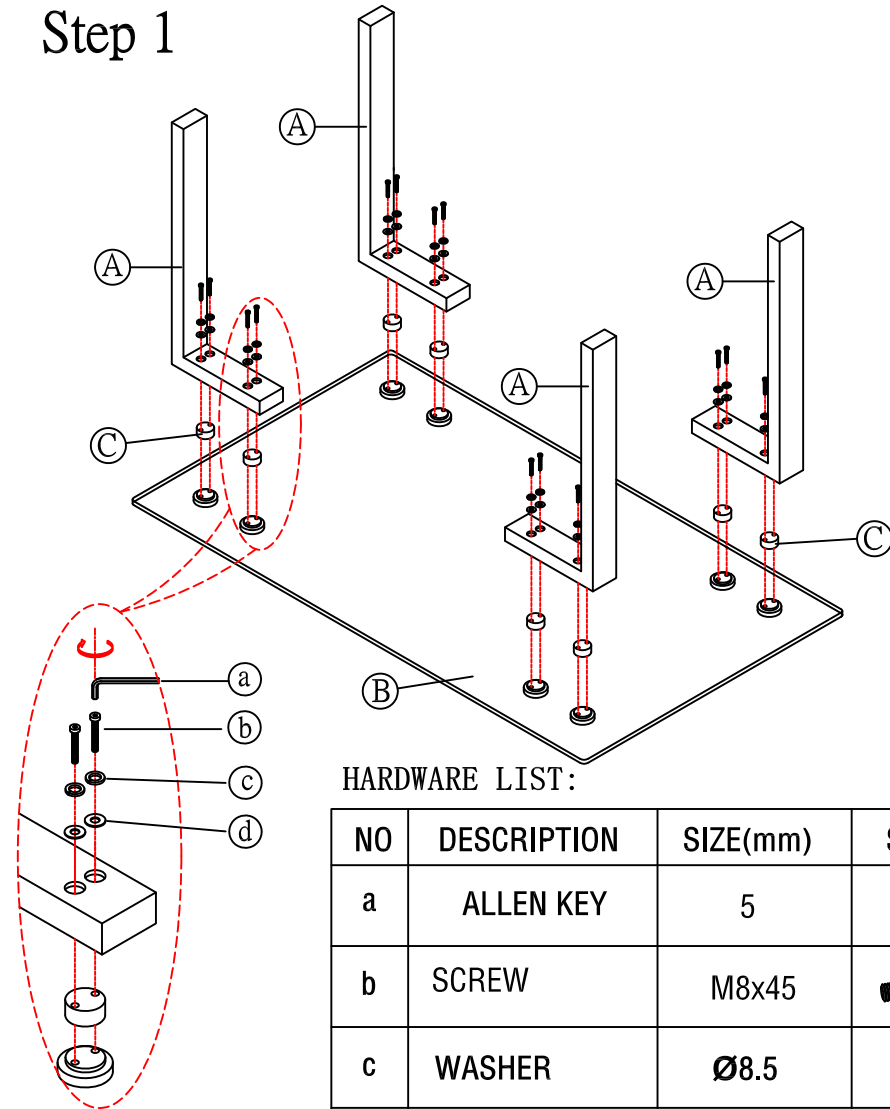




THANK YOU FOR PURCHASING THIS QUALITY PRODUCT.

BE SURE TO CHECK ALL PACKING MATERIAL CAREFULLY FOR SMALL PARTS THAT MAY HAVE COME LOOSE INSIDE THE CARTON DURING TRANSIT.

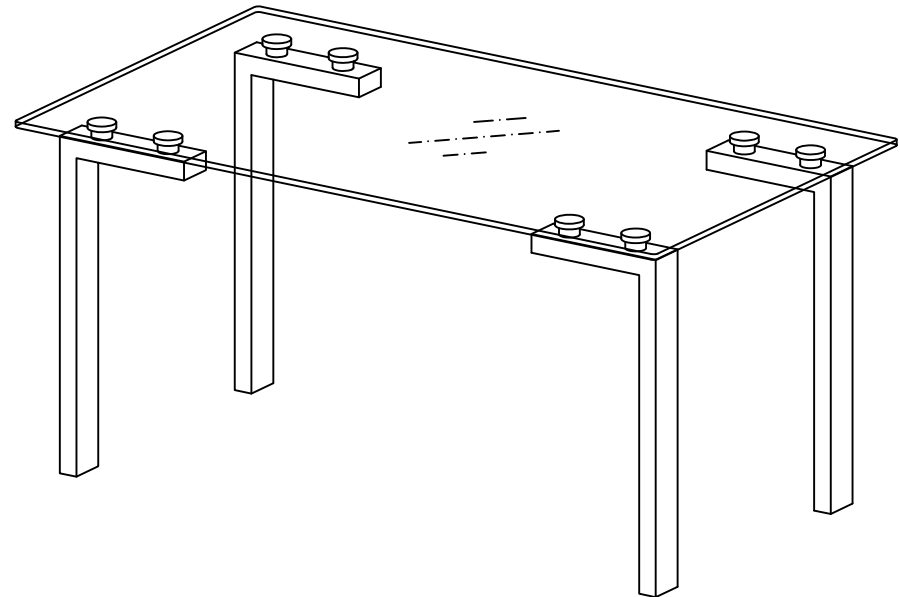
Step 1



HARDWARE LIST:

NO	DESCRIPTION	SIZE(mm)	SKETCH	QTY
a	ALLEN KEY	5		1PC
b	SCREW	M8x45		16PCS
c	WASHER	Ø8.5		16PCS
d	SPRING WASHER	Ø8.5		16PCS

FINISH



PARTS LIST:

NO	DESCRIPTION	SIZE(mm)	SKETCH	QTY
A	LEG	716*300*80		4PCS
B	GLASS TOP	1549*889		1PC
C	DRIVEPIPE	Ø45*t1.5*20		8PCS